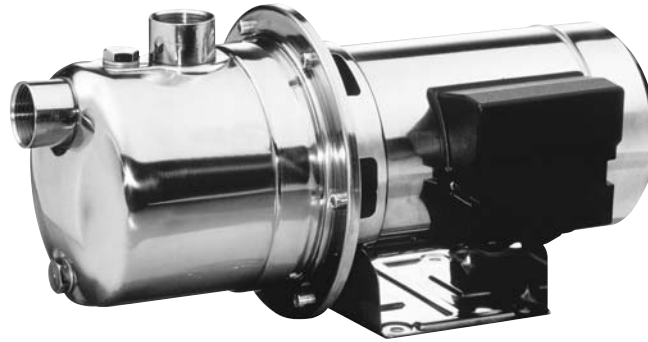


Self-priming Jet pumps manufactured in stainless steel AISI 304, suitable for water supply, domestic pressure boosting and small irrigation systems, pool and tank emptying and general clean water pumping.



SPECIFICATIONS

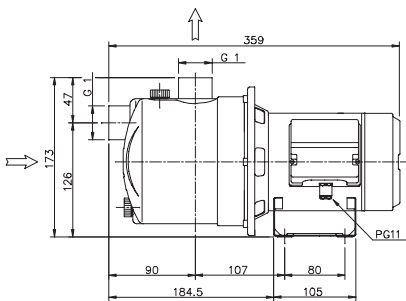
- Maximum working pressure: 6 bar
- Maximum liquid temperature: 45°C

MATERIALS

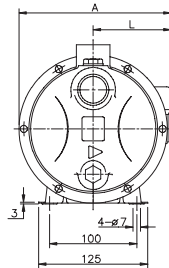
- Pump body, bracket, casing cover, motor casing and fan cover in AISI 304
- Shaft in AISI 303
- Impeller in AISI 304 for JE, in tecnopolymer for JES
- Mechanical seal in carbon/ceramic/NBR

TECHNICAL DATA

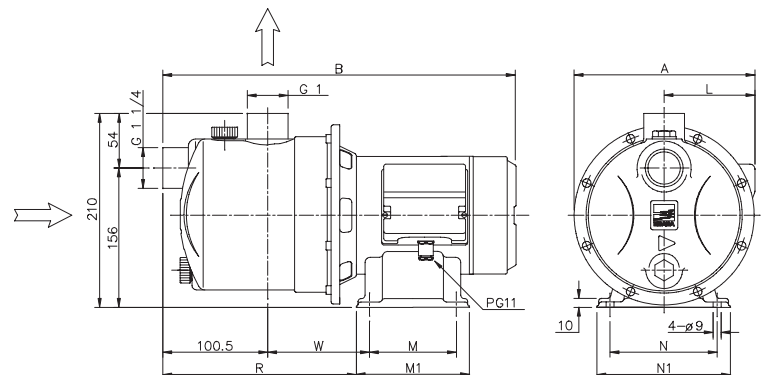
- T.E.F.C. 2 poles motor
- Insulation class F
- Protection degree IP44 (on request IP55)
- 1~230V ± 10% 50Hz, 3~230/400V ±10% 50Hz
- Permanent split capacitor and automatic thermal overload protection for single-phase version
- Thermal protection to be provided by the user for three-phase version
- Suction 1" for JES, 1 1/4" for JE
- Discharge 1"



JES



JE

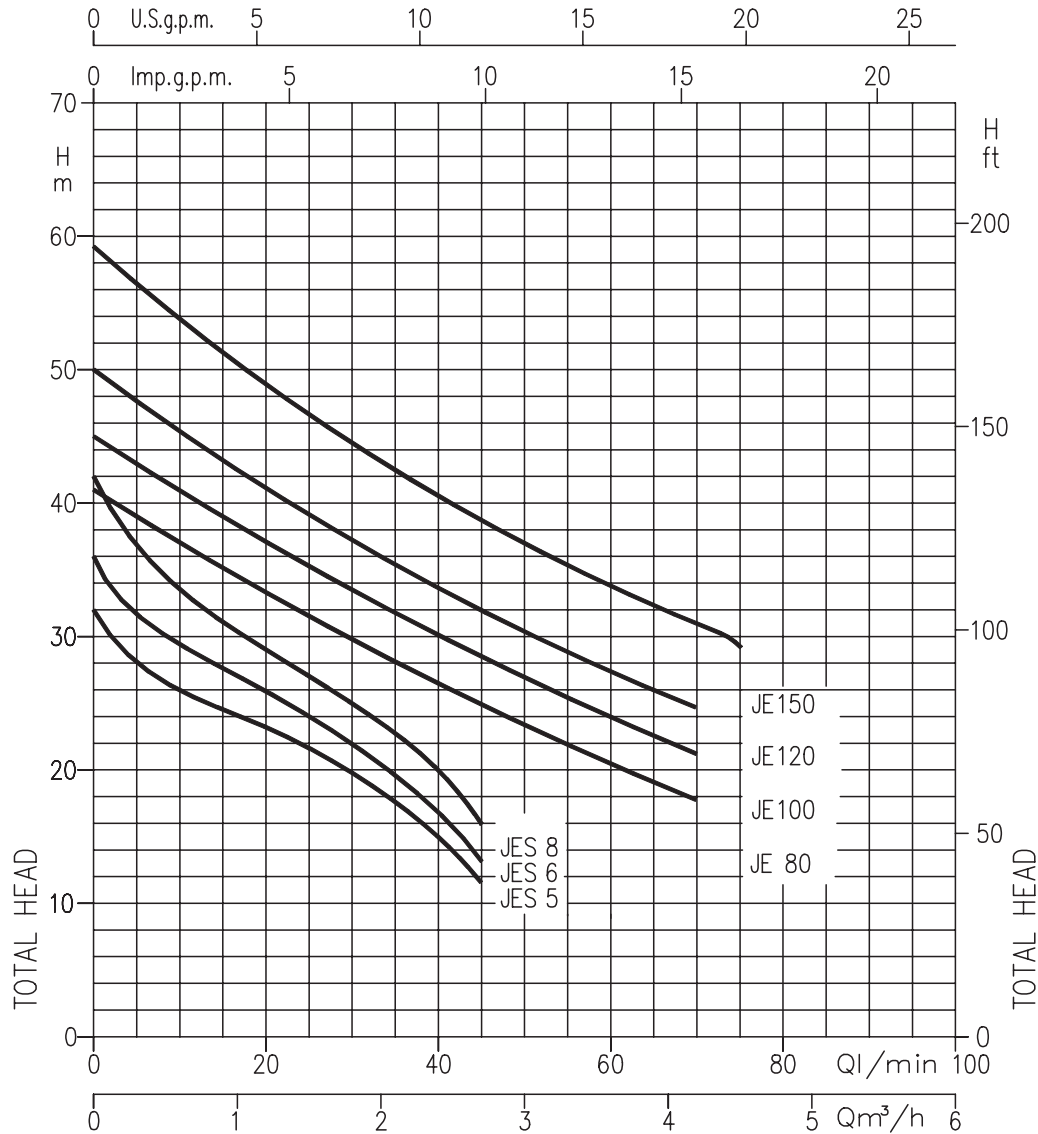


DIMENSIONAL TABLES

Pump type		Dimensions (mm)				Weight (kg)
Single-phase	Three-phase	A		L		
JESM 5	JES 5	1~	3~	1~	3~	5,6
JESM 6	JES 6	181	177	96	92	5,8
JESM 8	JES 8	181	177	96	92	6

Pump type		Dimensions (mm)										Weight (kg)	
Single-phase	Three-phase	1~	3~	A	B	L	M	M1	N	N1	R		W
JEM 80	JE 80	209	205	401	105	101	100	130	120	150	213,5	128	12
JEM 100	JE 100	209	205	432	105	101	100	130	120	150	228,5	143	13,5
JEM 120	JE 120	209	205	432	105	101	100	130	120	150	228,5	143	13,5
JEM 150	JE 150	214	214	439	110	110	120	150	140	170	231	145,5	15,5

PERFORMANCE CURVES (according to ISO 9906 Annex A)



PERFORMANCE TABLE

Pump type		kW	Capacitor		Absorbed Current (A)			l/min m³/h	Q=Capacity									
Single-phase 230V 50Hz	Three-phase 230/400V 50Hz		µF	V _c	Single-phase	Three-phase 230V	400V		5	20	30	40	45	50	60	70	75	
								H=Total head										
JESM 5	JES 5	0,37	10	450	2,1	1,5	0,85	28	23	-	15	11,5	-	-	-	-		
JESM 6	JES 6	0,44	10	450	2,4	1,9	1,1	31,5	26	-	17	13,5	-	-	-	-		
JESM 8	JES 8	0,6	12,5	450	3,0	2,25	1,3	37	29	-	20	16	-	-	-	-		
JEM 80	JE 80	0,6	16	450	4,7	3,3	1,9	-	33	29	26,5	-	23,5	20,5	18	-		
JEM 100	JE 100	0,75	20	450	6,4	4,5	2,6	-	37	33,5	30	-	27	24	21	-		
JEM 120	JE 120	0,88	20	450	6,7	4,7	2,7	-	41	37	34	-	30,5	27,5	24,5	-		
JEM 150	JE 150	1,1	31,5	450	7,6	5,9	3,3	-	49	44,5	40,5	-	37	34	31	29,5		